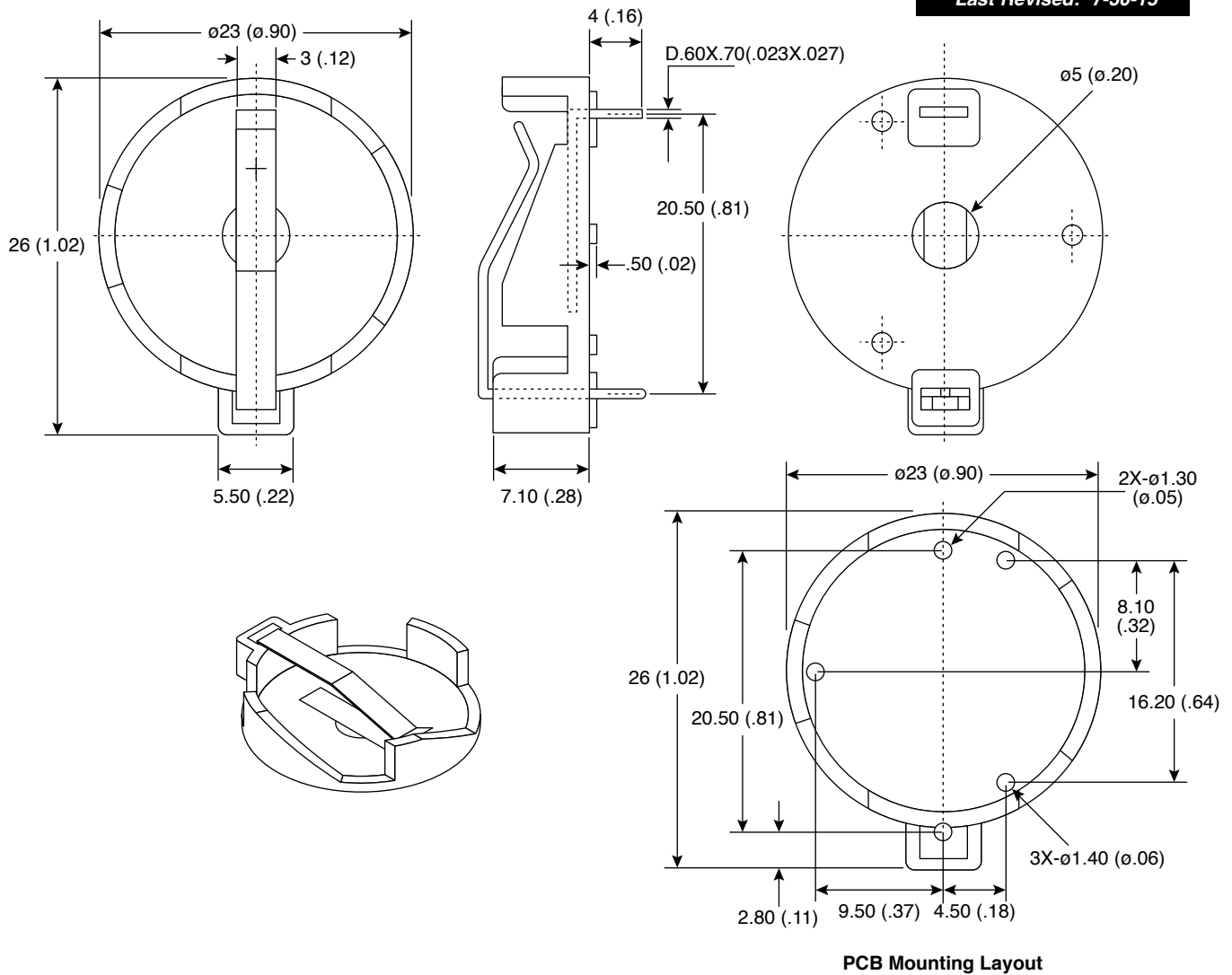


Last Revised: 7-30-15



Dimensions: mm (in.)

SPECIFICATIONS	
<b>Housing Material:</b>	PBT+30%GF Black
<b>Contact Material:</b>	Phosphor Bronze 0.6 Thick Tin Plated Over Nickel
<b>Current Rating:</b>	2A (AC/DC)
<b>Voltage Rating:</b>	500VAC/DC
<b>Contact Resistance:</b>	30mΩ
<b>Insulation Resistance:</b>	500MΩ
<b>Temperature Range:</b>	-55°C to +85°C
<b>Humidity:</b>	40°C and 90-95% RH for 96 hours
<b>RoHS Compliant</b>	

Available from Mouser Electronics  
1-800-346-6873 / [www.mouser.com](http://www.mouser.com)

EPD-200878